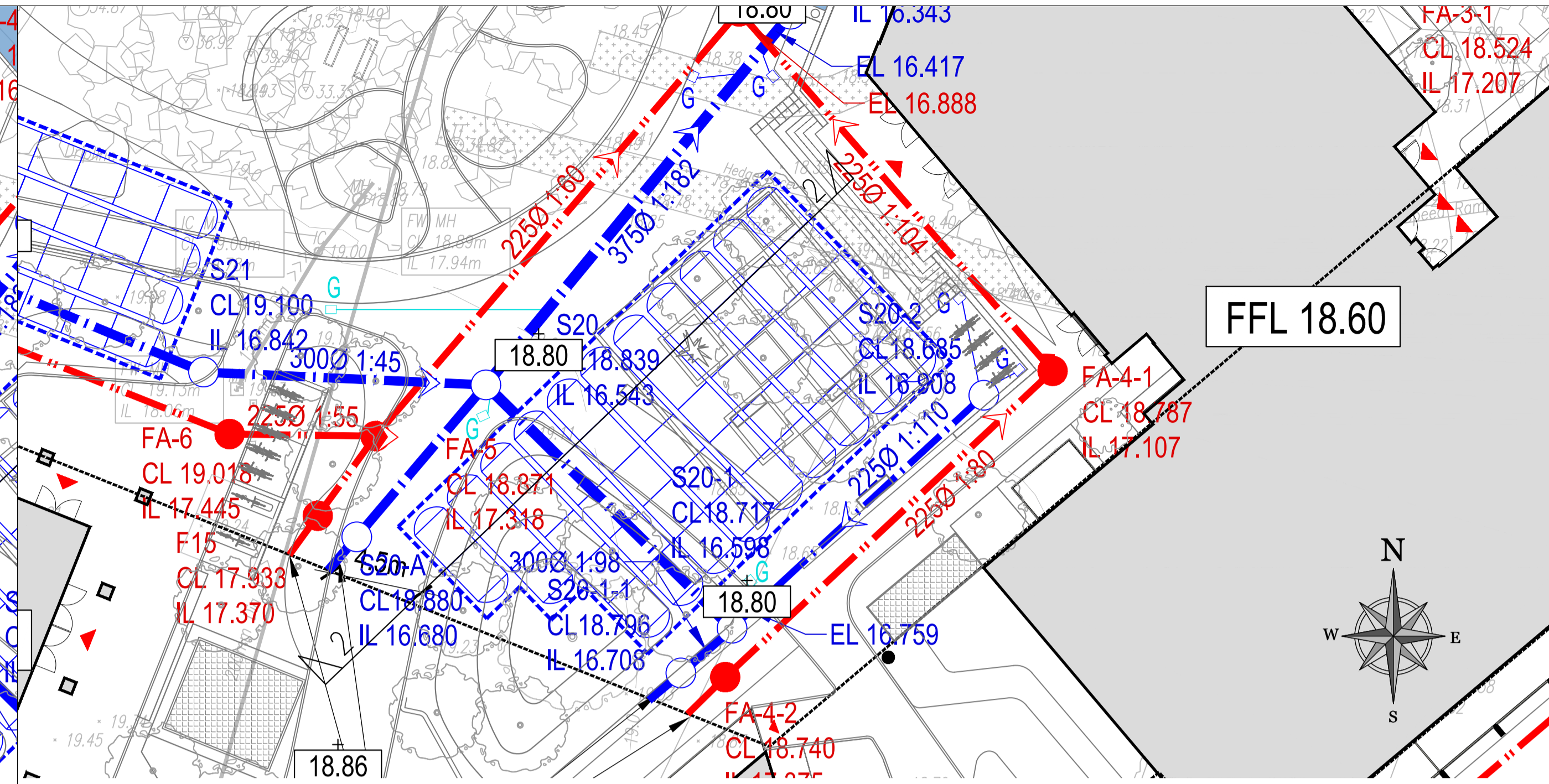
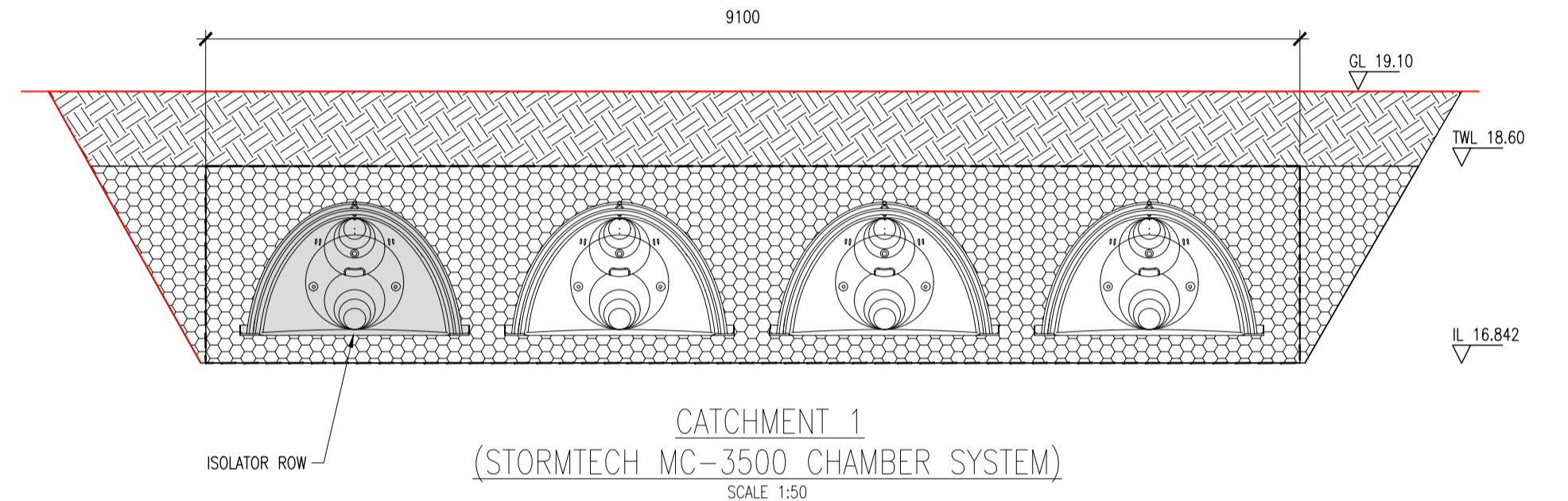


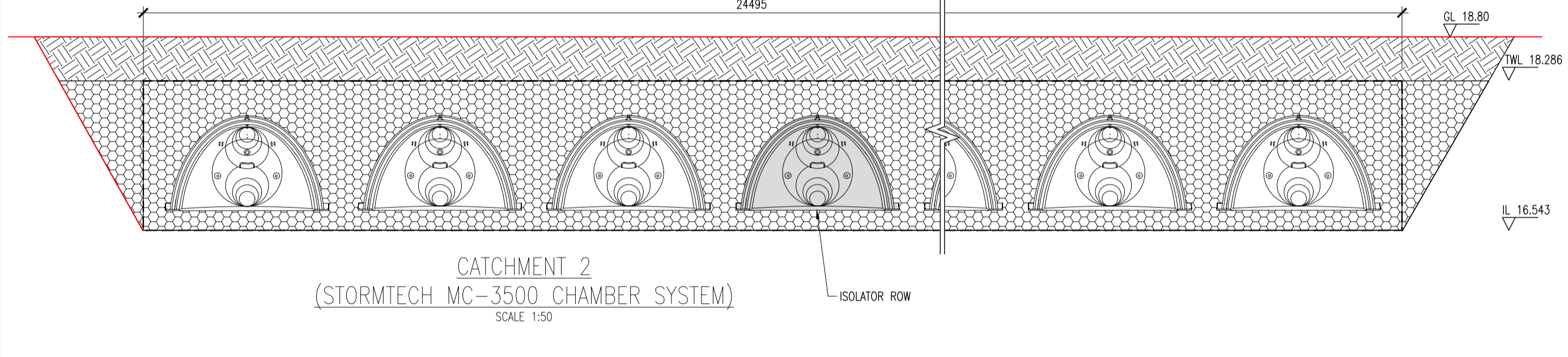
PLAN OF ATTENUATION CATCHMENT AREA: 1 (SCALE 1:200)



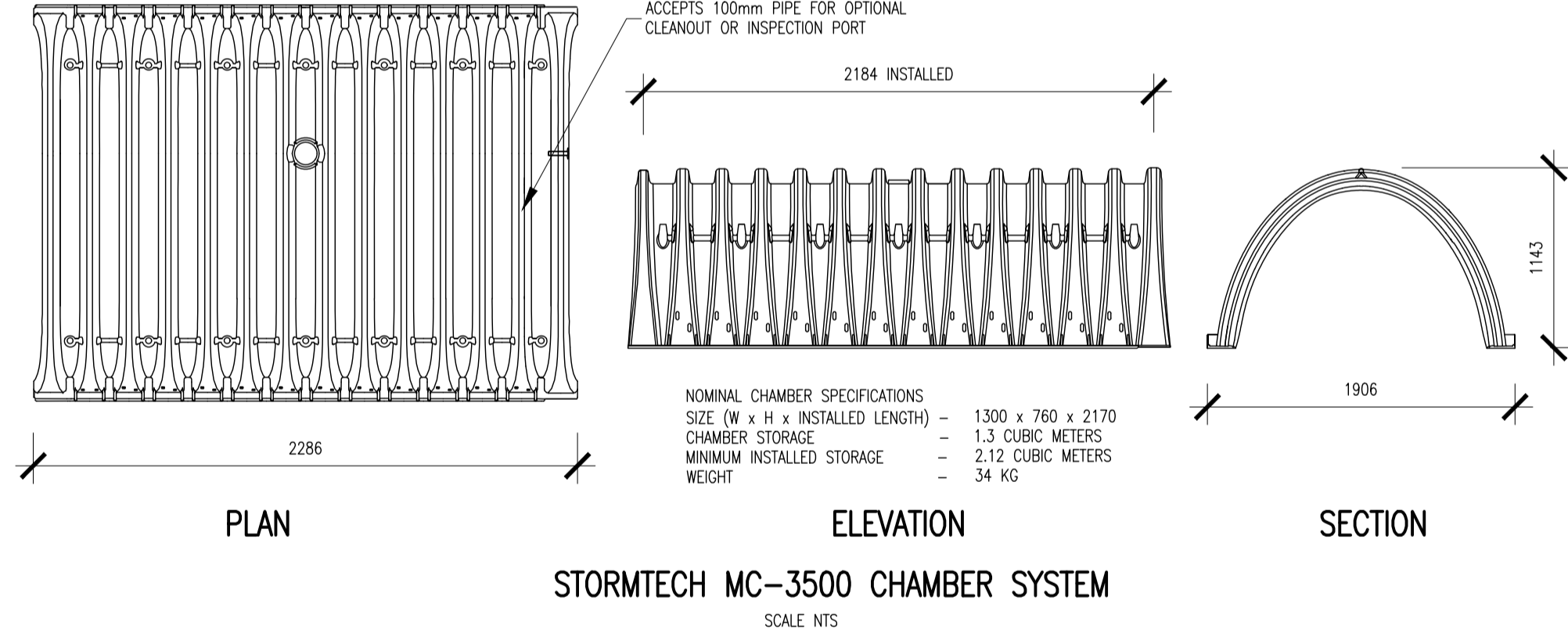
PLAN OF ATTENUATION CATCHMENT AREA: 2 (SCALE 1:200)



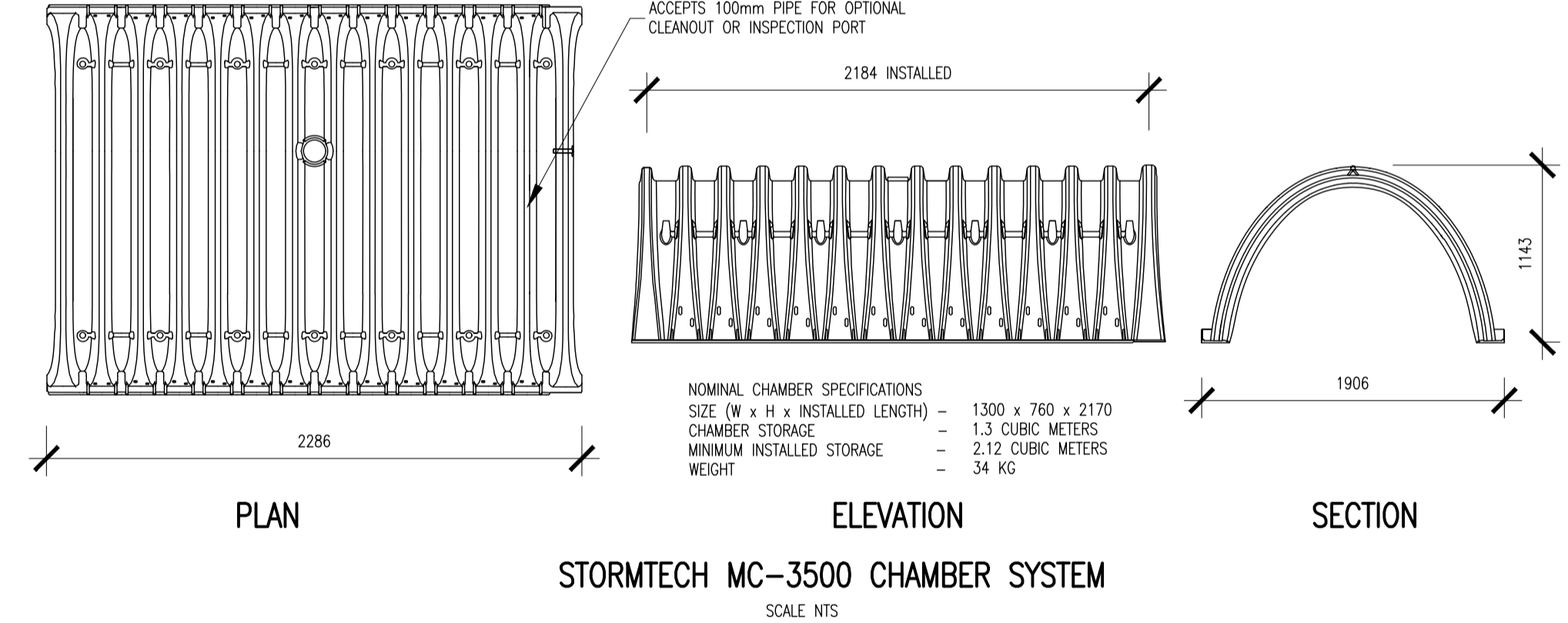
CATCHMENT 1 (STORMTECH MC-3500 CHAMBER SYSTEM) SCALE 1:50



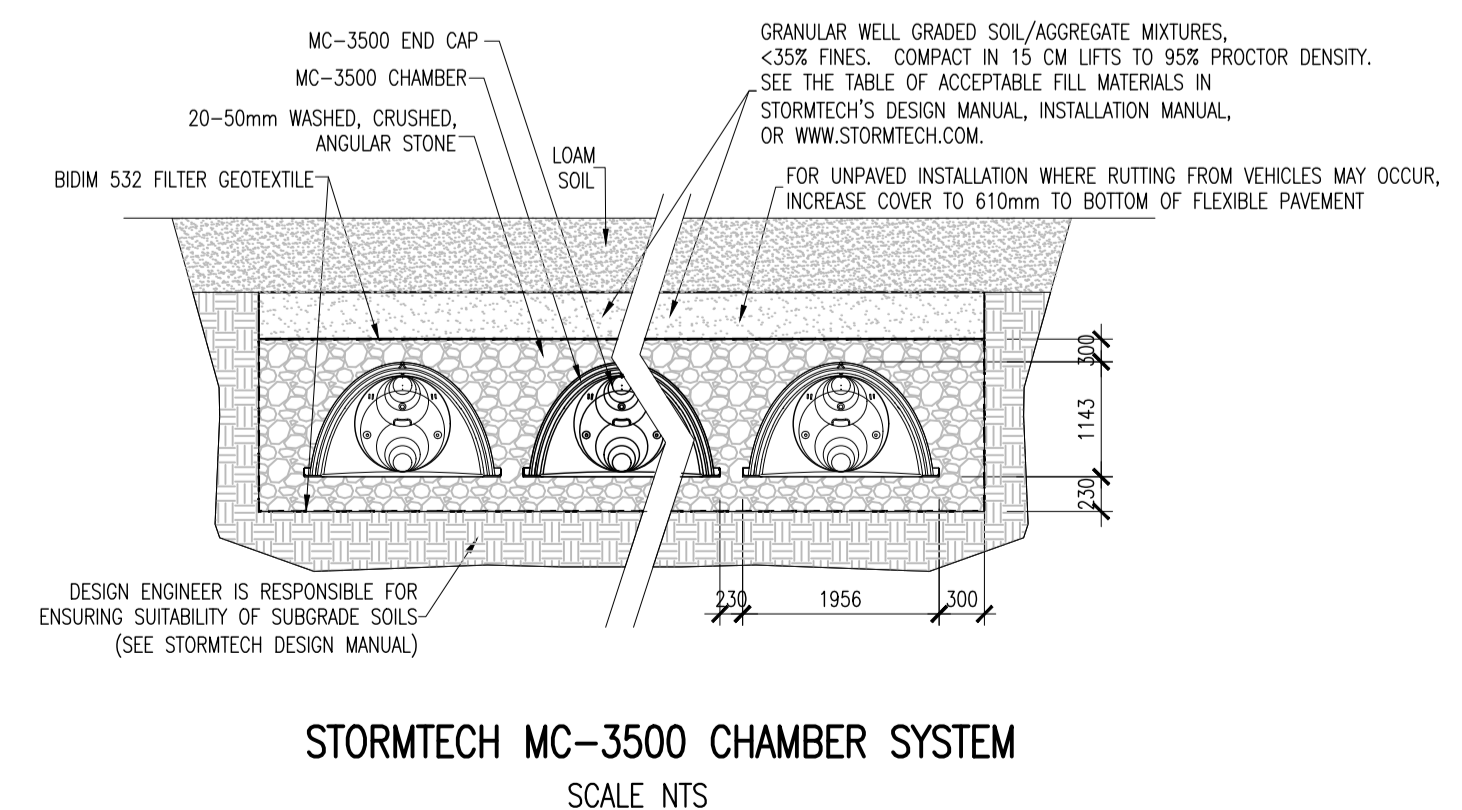
CATCHMENT 2 (STORMTECH MC-3500 CHAMBER SYSTEM) SCALE 1:50



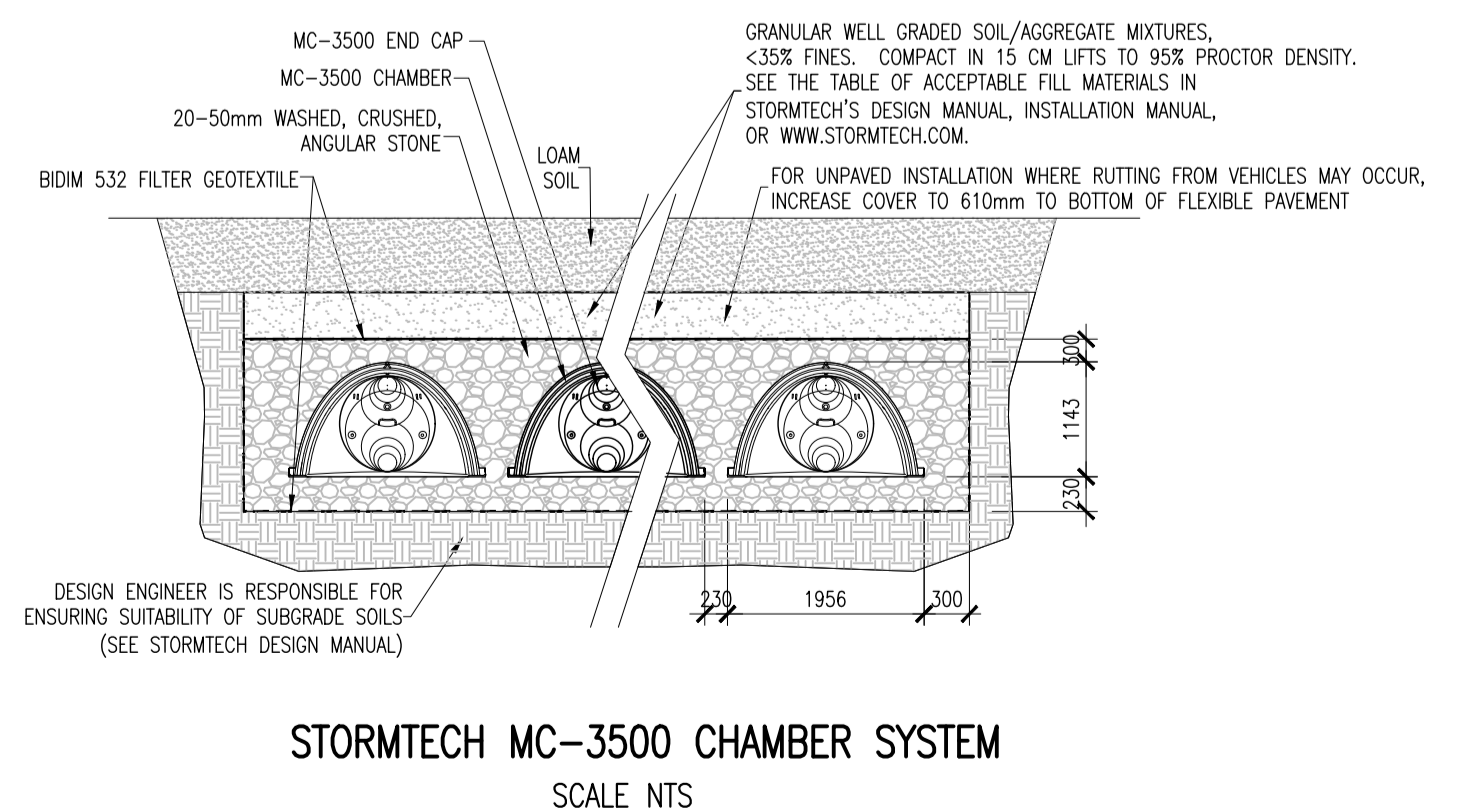
STORMTECH MC-3500 CHAMBER SYSTEM SCALE NTS



STORMTECH MC-3500 CHAMBER SYSTEM SCALE NTS

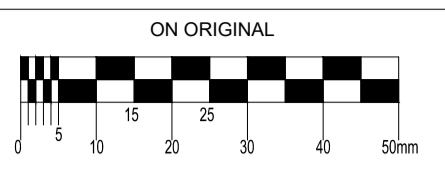


STORMTECH MC-3500 CHAMBER SYSTEM SCALE NTS



STORMTECH MC-3500 CHAMBER SYSTEM SCALE NTS

© COPYRIGHT OF THIS DRAWING IS RESERVED BY DBFL CONSULTING ENGINEERS. NO PART SHALL BE REPRODUCED OR TRANSMITTED WITHOUT THEIR WRITTEN PERMISSION.



- NOTES:
- WHERE ROCKS OR OTHER HARD TRENCH BOTTOM IS ENCOUNTERED, THE FIGURE DENOTED BY * IS TO BE DOUBLED.
 - TYPE 1 GRANULAR MATERIAL: BROKEN STONE OR GRAVEL TO PASS 10mm SIEVE AND BE RETAINED ON 5mm SIEVE.
 - TYPE 2 GRANULAR MATERIAL: BROKEN STONE OR GRAVEL TO PASS 10mm - 25mm SIEVE, ACCORDING TO PIPE SIZE, (SEE TABLE) AND BE RETAINED ON 5mm SIEVE.
 - CLAUSE 601 S.R.W. BACKFILL: UNIFORM READILY COMPACTED MATERIAL FREE FROM TREE ROOTS, VEGETABLE MATTER, BUILDING DEBRIS, AND FROZEN SOIL AND EXCLUDING CLAY LUMPS RETAINED ON A 75mm SIEVE AND STONES RETAINED ON A 37.5mm SIEVE.
 - RIGID PIPES SHALL MEAN CAST OR SPUN IRON, CONCRETE OR CLAY.
 - GULLY GRATINGS AND FRAMES SHALL COMPLY WITH THE REQUIREMENTS OF I.S./E.N./124 1994. GULLIES SHALL BE CLASS D400.
 - GULLY WALLS SHALL BE CONSTRUCTED IN CLASS 30N/mm² PRECAST OR IN-SITU CONCRETE OR ALTERNATIVELY IN SOLID CONCRETE BLOCKS DESIGNATED S10, STRENGTH 10N/mm².
 - ALL PIPES TO BE BEDDED IN ACCORDANCE WITH MANUFACTURERS RECOMMENDATIONS.
 - SURFACE WATER SEWERS TO BE CLASS H CONCRETE TO IS EN1916 AND IS 6 2004.

- LEGEND:
- SITE BOUNDARY
 - PROPOSED FOUL SEWER
 - PROPOSED SURFACE WATER DRAINAGE
 - EXISTING SURFACE WATER
 - EXISTING FOUL SEWER
 - PROPOSED ROAD GRADIENT
 - EXISTING LEVELS
 - PROPOSED LEVELS
 - FINISHED FLOOR LEVEL
 - PERMEABLE PAVING

P01	25-08-21	PLANNING	RMC	EDA
rev	date	description	by	chkd.
		A - Approved		
		B - Approved with comments		
		C - Do not use		
client approval				
submittal		issue purpose		
S2 - INFORMATION		PLANNING		
DBFL Consulting Engineers Civil, Structural & Transportation Engineering www.dbfl.ie				
DUBLIN OFFICE: Ormond House, Upper Ormond Quay, Dublin 7, D07 W704 PHONE: +353 1 400 4000				
CORK OFFICE: Phoenix House, Monahan Road, Cork, T12 H1XV PHONE: +353 (0) 21 2024538				
WATERFORD OFFICE: Suite 10 The Atrium, Marzana Gate, Canada Street, Waterford, X91 W028 PHONE: +353 51 300 500				
project ref.				
SANDFORD ROAD, MILLTOWN				
drawing title				
TYPICAL ATTENUATION DETAILS SHEET 1				
client				
SANDFORD LIVING LIMITED				
designed by	author	scale	sheet size	
BK	ICD	AS NOTED	A1	
drawing no.	revision			
190226-DBFL-CS-SP-DR-C-5005	P01			